

HydroSlide® Flow Regulator Type MINI

Compact regulator with rotating plate
suitable for the greatest discharges
no electrical power required

HydroSlide® Flow Regulator Type MINI

Compact regulator with rotating plate suitable for the greatest discharges
no electrical power required

The Challenge

Modern hydraulic management concepts require regulating devices to be considered. Ideally the flow curve is perpendicular providing a constant discharge. Throttling controls are required in basins, reservoirs, spillways, wastewater treatment plants and separation plants. These regulating devices are required to provide precise discharge control throughout the regulating range.

The Solution

The **HydroSlide® Flow Regulator Type MINI** is a simple, robust stainless-steel designed regulator with brass / PE bearings. The compact design makes it possible to enable simple control structures to be designed for this regulator. The system has a high degree of reliability whilst remaining practically maintenance-free. The MINI regulator is designed to continually regulate the flow rate throughout the operating range of water level. The regulating of the discharge begins when the water level rises. The float rises as the water level increases which in turn rotates the orifice plate to reduce the orifice area to maintain a constant head / flow relationship. The constant discharge flow is attained from an impounding head of approx. 1.5 x DR.

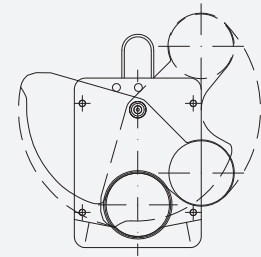


The robust mechanisms of the **HydroSlide® Flow Regulator Type MINI**, make it an ideal choice for flood retention operations.

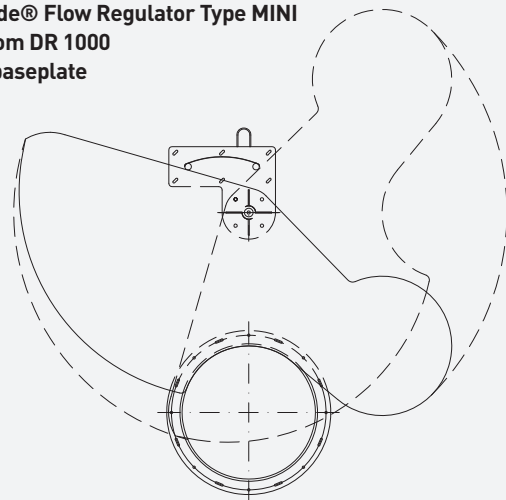
The Advantages

- no external power source, no electricity
- perpendicular Q/H line
- simple, low-cost flow regulator
- range from small to largest impounding heads
- for small structures
- no sole jump
- float fixed directly on the swivel arm
- installation up to DR 3.5 x DR
- float rotates to left or right
- model with double plate for small flows up to and incl. DR 200
- robust construction
- easy fitting
- low on maintenance
- optional with hand pulley up to and incl. DR 250
- adaptable for other discharge parameters by exchanging disc cam
- optional: VARIO function for Q_{ab} setting

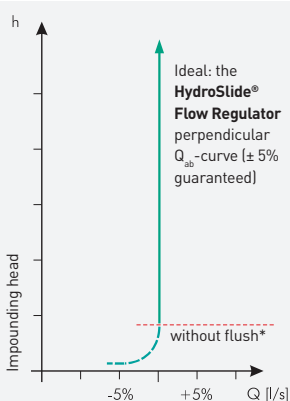
HydroSlide® Flow Regulator Type MINI
Model DR 100–900
with baseplate



HydroSlide® Flow Regulator Type MINI
Model from DR 1000
without baseplate



Characteristic curve



* initial flush

Selection

Discharge volume (l/s)	Nominal size (DR)
1 - 5	100
5 - 25	200/150
25 - 35	200
35 - 60	250
61 - 100	300
105 - 200	400
205 - 300	500
335 - 550	600
535 - 770	700
775 - 1080	800
1080 - 1500	900
1400 - 1960	1000
... - 5390	on request

- Installation in storm water only (Q_{ab} 1–5 l/s)
- With hand pulley on request